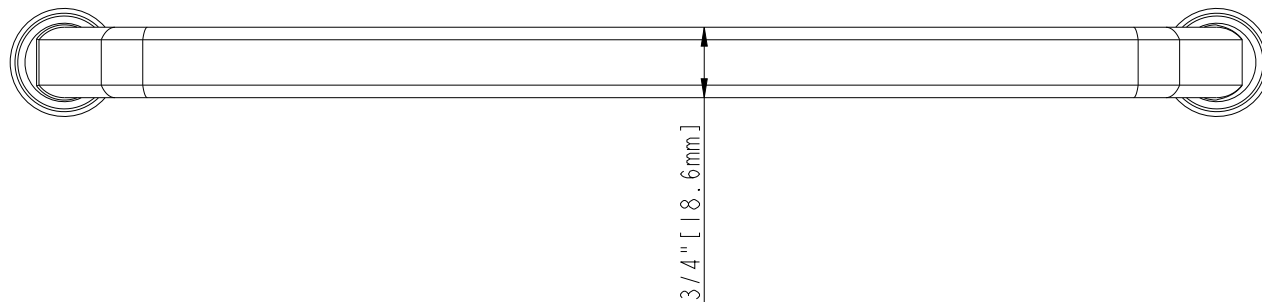
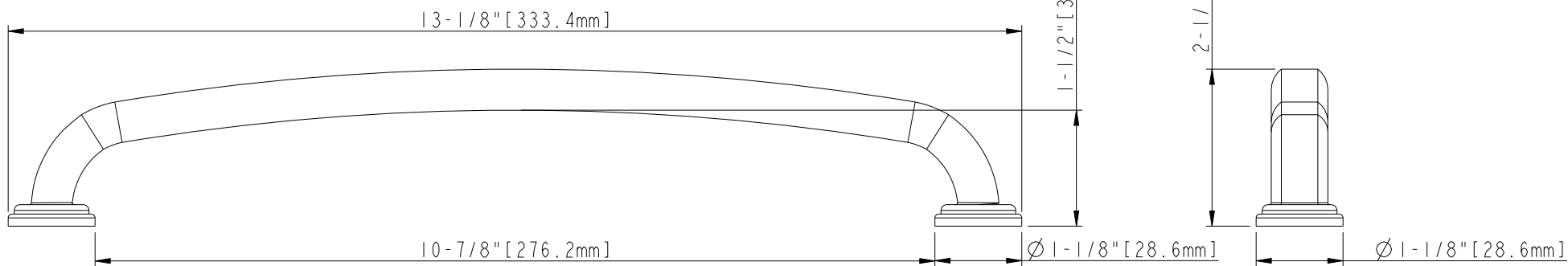
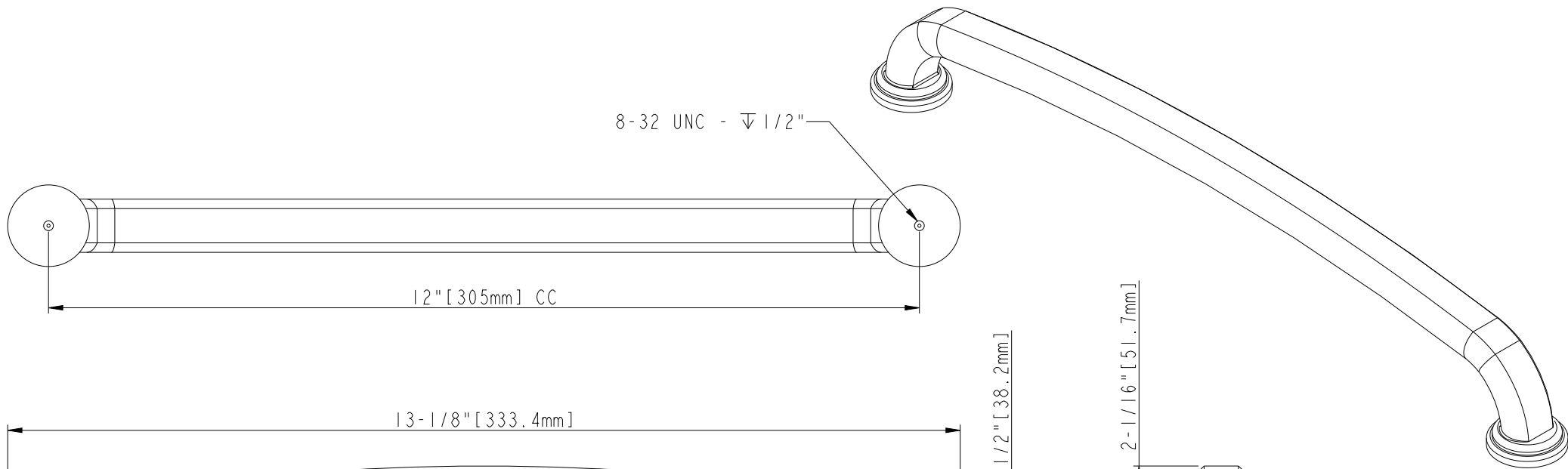


8-32 UNC - ∇ 1/2"



ACCESSORY:
 SCREW: 8-32x1" 2PCS
 BREAK AWAY SCREW: 8-32x45 2PCS
 ALL SCREW MATERIAL: STEEL-SAE1006

	ITEM#: 527-12	MATERIAL: Zamak 3
	WEIGHT: 541.2g/1.1901bs	PROJECTION
PROPRIETARY AND CONFIDENTIAL THE INFORMATION CONTAINED IN THIS DRAWING IS THE SOLE PROPERTY OF HARDWARE RESOURCES INC. ANY REPRODUCTION IN PART OR AS A WHOLE WITHOUT THE WRITTEN PERMISSION OF HARDWARE RESOURCES INC. IS PROHIBITED.	TOLERANCE UNLESS OTHERWISE SPECIFIED: X ±0.20 X.X ±0.10 X.XX ±0.05 ANGULAR: ±0.5°	UNITS: DRAWN BY: Alexander.W DATE: Dec-17-20 APPROVED BY: DATE: SHEET: RELEASE LEVEL: REVISION:
DO NOT SCALE DRAWING		